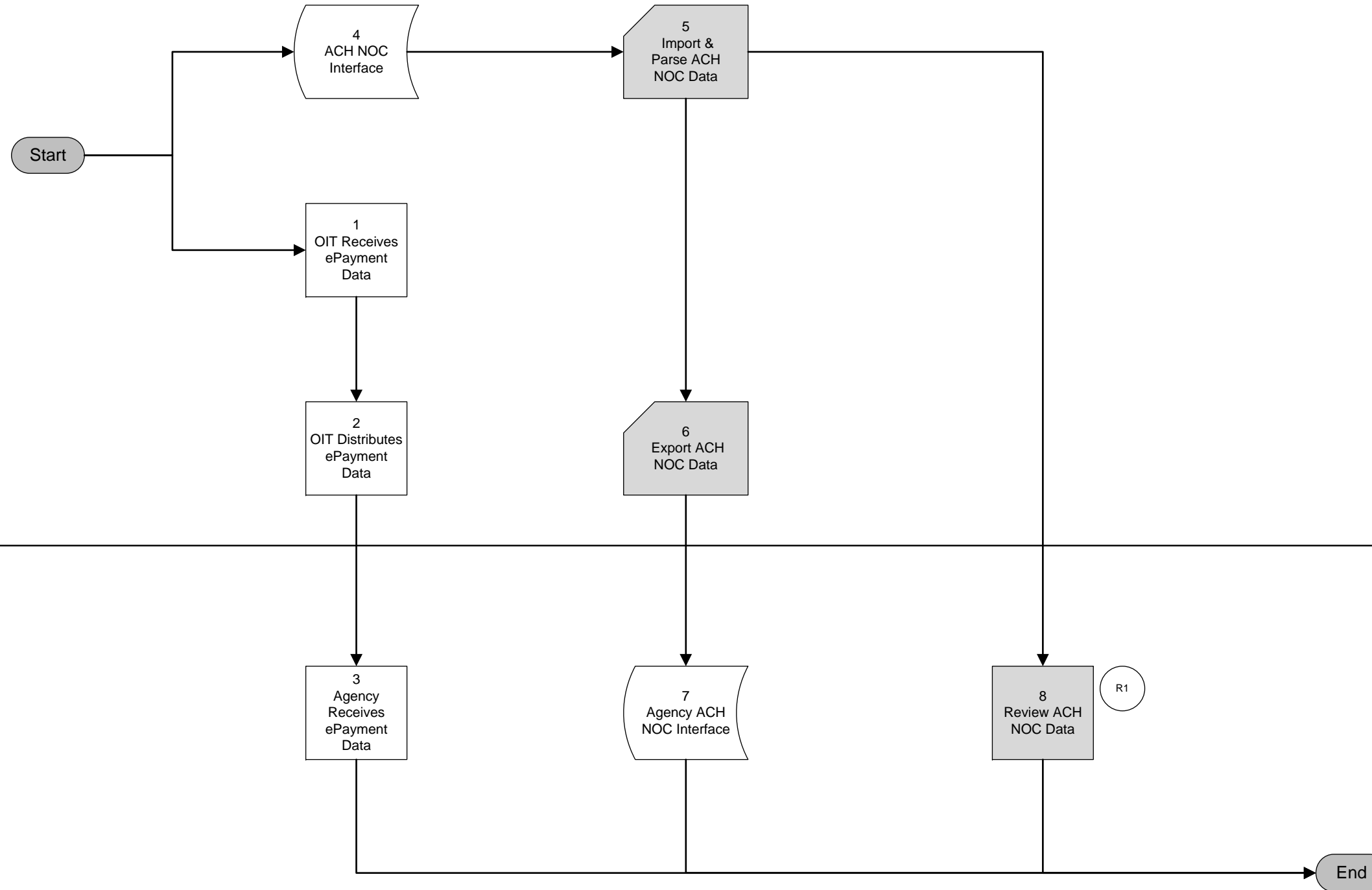
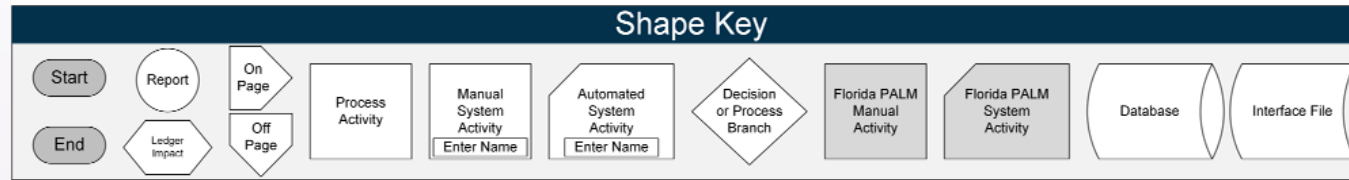


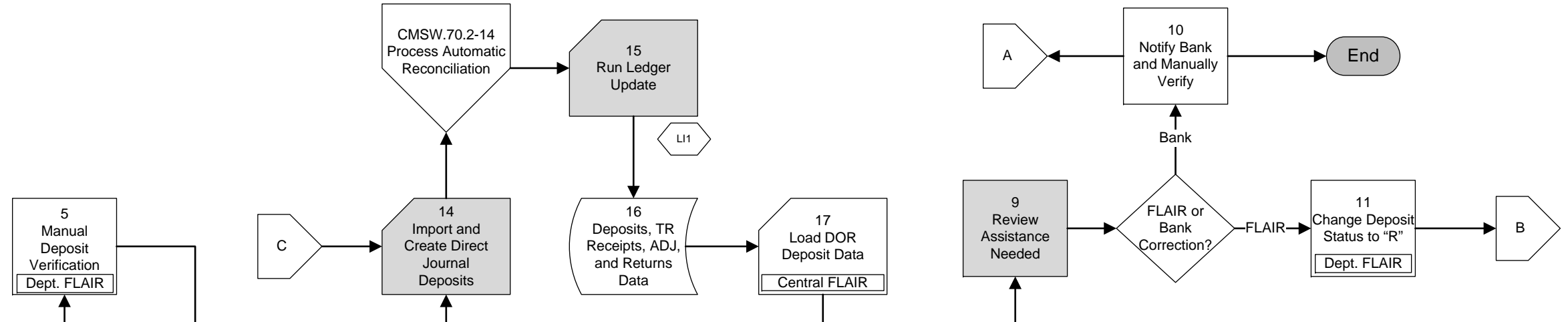
DFS Electronic Receipts Maintainer

Agency Deposit Reporter

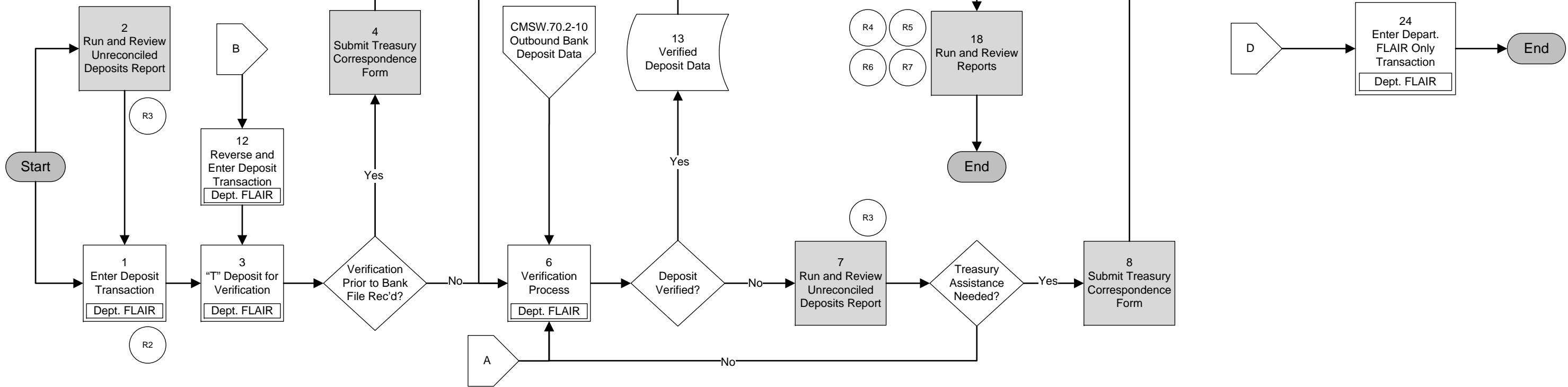




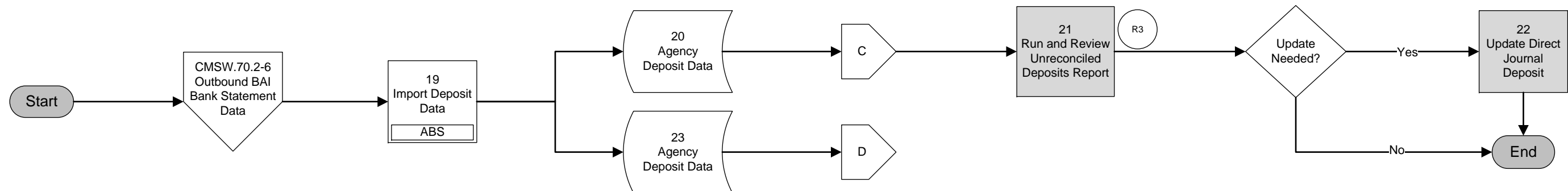
DFS Bank Reconciliation Processor

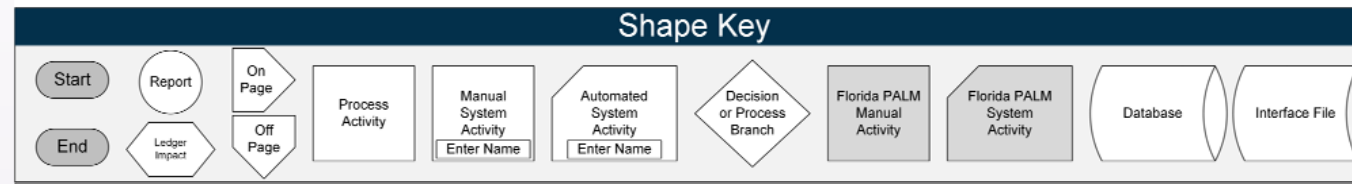


Agency Deposit Reporter

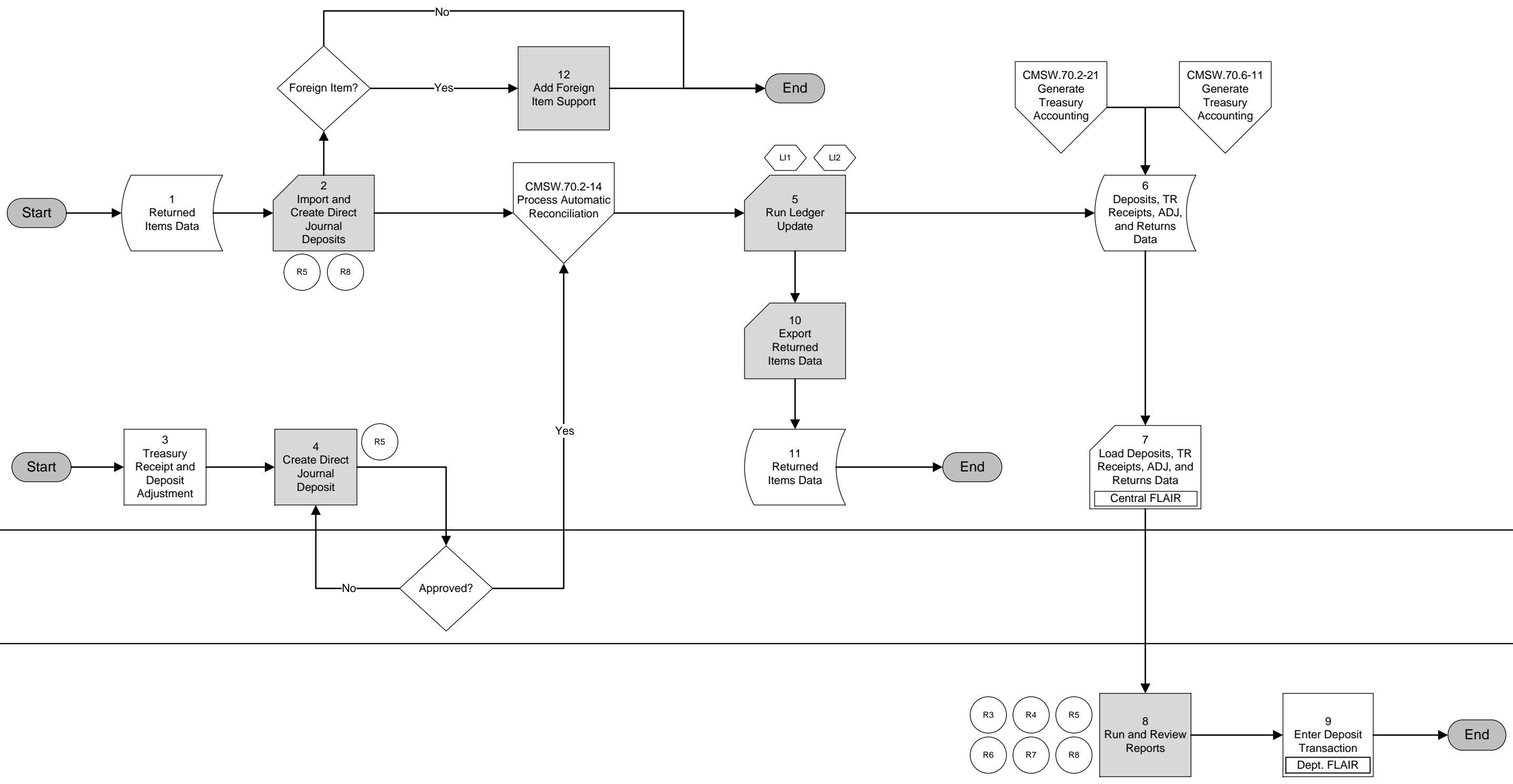


DOR Agency Exception Processor





DFS Deposit Processor



DFS Deposit Approver

Agency Deposit Reporter